

## PRODUCT DATASHEET

Surface mounted Panel light  
HYD-P8-12W 6000K



---

### Application

- Office
- Kitchen
- Rest room
- Corridor
- Shop

---

### Benefits

- Flicker free.
- The light is soft and bright
- DOB, integrated design, stable structure
- High light transmission mask to ensure uniform light

---

### Features

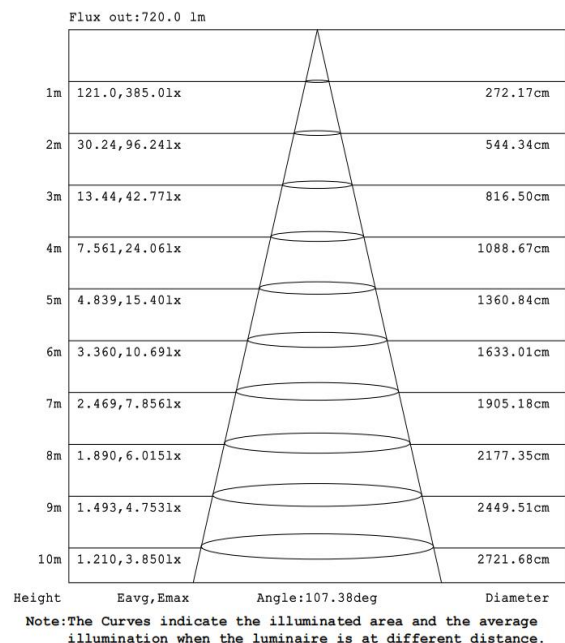
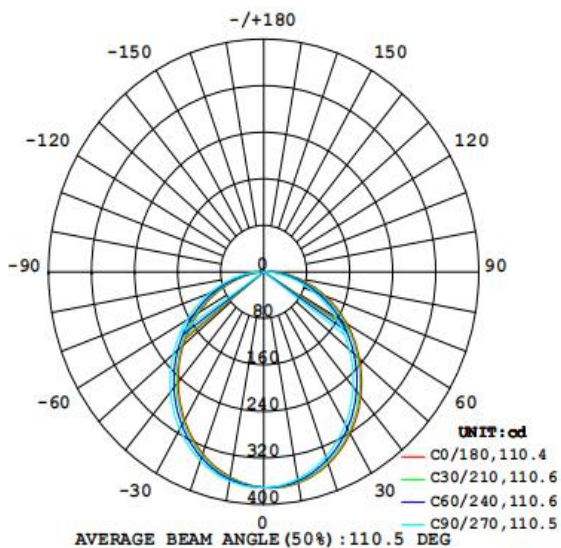
- Warranty 2 years
- Efficient and durable
- Easy and quick installation
- PC housing and transparent mask material, not easy to deform and change color

## Electrical Data

Nominal wattage (W)	<b>12W</b>
Nominal Voltage (V)	220-240V
Mains Frequency (Hz)	50
Nominal Current (mA)	89
Power Factor $\lambda$	0.5
Operating mode	DOB

## Photometrical data

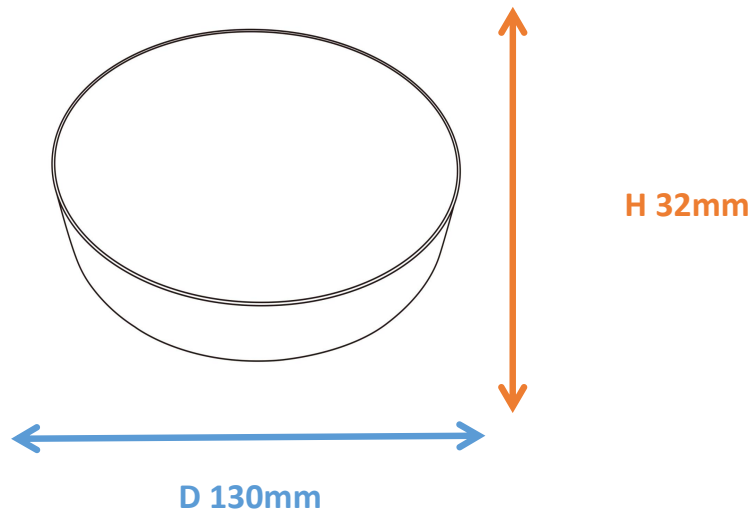
Luminous flux $\pm 10\%$ (lm)	1051 lm
Luminous efficacy	91 lm/w
Color temperature	<b>6000K</b>
Light color (designation)	Cold White
Color rendering index Ra	$\geq 80$
Standard deviation of color matching	$\leq 5$ SDCM
Luminous intensity/cd	372
Flickering	Flicker free
Beam angle	111 °



**6000K**

## Dimensions & Weight

Diameter (mm)	130
Height (mm)	32
Product weight (g)	...



## Material & Colors

Product color	All White
Housing color	White
Body material	PC
Cover material	PC
Mercury content	0.0 mg

## Application & Mounting

Ambient temperature range	-10°C~+40 °C
Temperature range at storage	-10°C~+40 °C
Type of connection	Screw terminal
Type of protection	IP20
Dimmable	No
Mounting type	Surface mounted
Mounting location	Ceiling
Application environment	Indoor
Cut size (mm)	No
LED module replaceable	Not replaceable
With light source	Yes

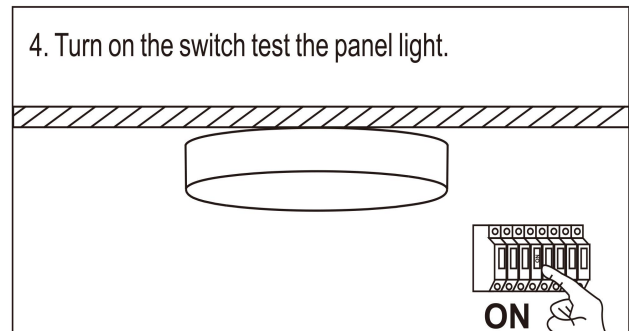
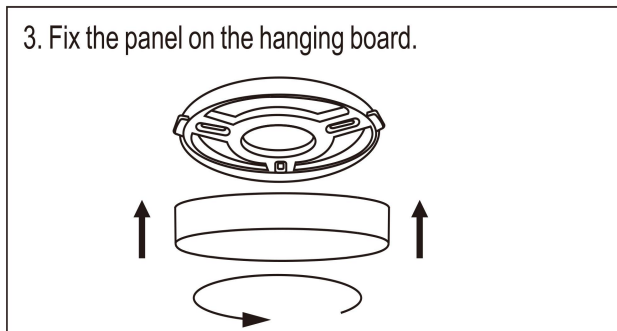
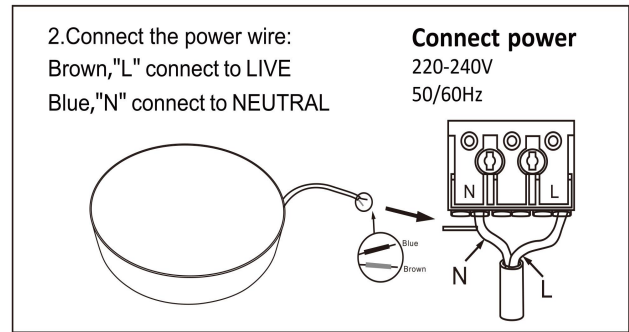
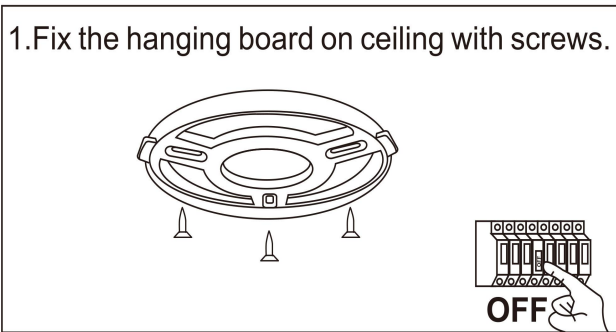
## Certificates & Lifespan

Life (h)	20,000
Certificates	CB LVD EMC RoHS
Standards	ISO9001:2015

## Logistical Data

Product code	Dimensions (L*W*H)	Pcs/ carton	G.W. kg	Volume CBM
HYD-P8-12W	69.5*29*47.5 cm	100	...	0.09574

## Installation Method



## Disclaimer

Subject to change without notice. Errors and omission excepted. Always make sure to use the most recent release