

PRODUCT DATASHEET

Evergreen Style Design Recessed Mounted Panel Light HYD-116C-15W 6500K



Application

- Household living room
- Mall
- Commercial place
- Corridors
- Hotel

Benefit

- Flicker free
- Low lumen depreciation
- Internal reflector to increase optical efficiency
- Detachable driver design or DOB design could be option

Feature

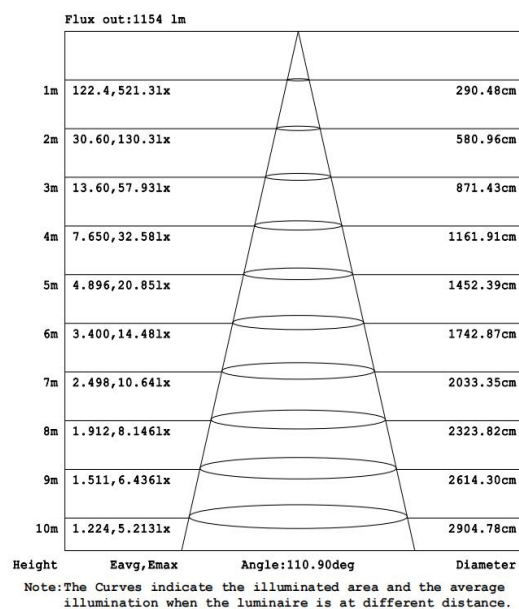
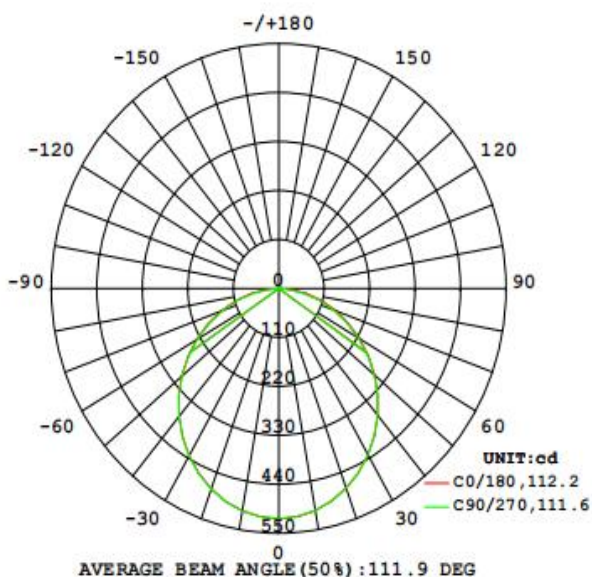
- Warranty 5 years
- Yellowing-resistant diffuser (PC)
- Buckle design, easy and quick installation
- Die-cast aluminum body for better heat dissipation, anti-corrosion

Electrical Data

Nominal wattage (W)	15W
Nominal Voltage (V)	220-240
Mains Frequency (Hz)	50-60
Nominal Current (mA)	111
LED Driver Current (mA)	350
LED Driver Voltage (V)	27-40
LED Driver Efficiency (%)	83%
Power factor λ	0.6C
Total harmonic distortion (%)	...
Operating mode	External LED driver

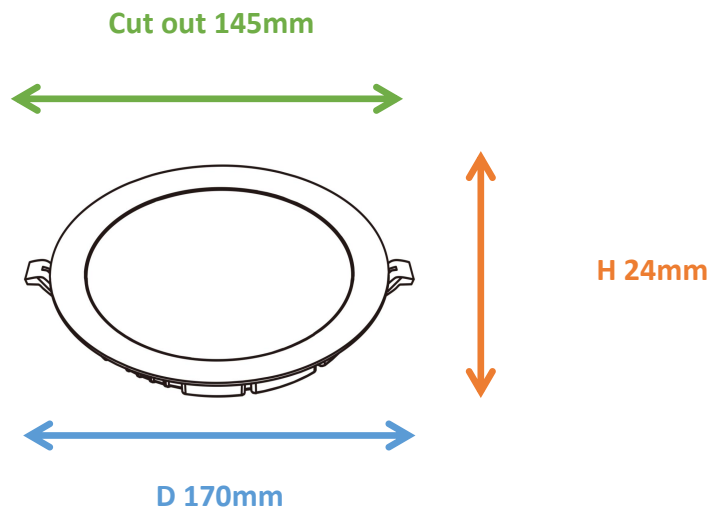
Photometrical data

Luminous flux $\pm 10\%$ (lm)	1491
Luminous efficacy (lm/w)	111
Color temperature	6500K
Light color (designation)	Cold White
Color rendering index Ra	≥ 80
Standard deviation of color matching	≤ 5 SDCM
Luminous intensity	517 cd
Flickering	Flicker free
Beam angle	112 °



Dimensions & Weight

Diameter (mm)	170
Height (mm)	24
Product weight (g)	340



Material & Colors

Product color	White sink / White frame
Housing color	White
Body material	Aluminum
LGP material	PC
Mercury content	0.0 mg

Application & Mounting

Ambient temperature range	-10-45 °C
Temperature range at storage	-25-60 °C
Type of connection	Screwless terminal
Type of protection	IP20
Dimmable	No
Mounting type	Recessed mounted
Mounting location	Ceiling
Application environment	Indoor
Cut size (mm)	145
LED module replaceable	Not replaceable
With light source	Yes

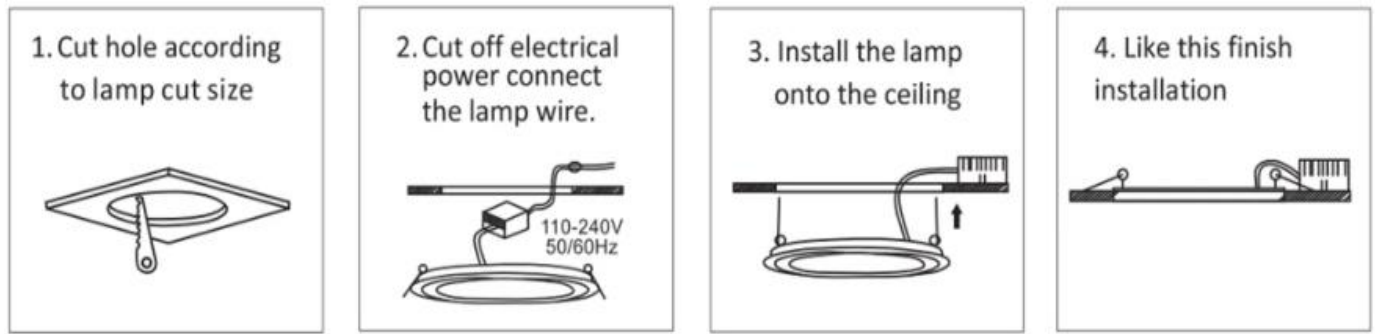
Certificates & Lifespan

Life (h)	50,000
Certificates	CB / CE
Standards	ISO9001:2015

Logistical Data

Product code	Dimensions (L*W*H)	Pcs/ carton	G.W. kg	Volume CBM
HYD-116C-15W	47*37*39.5 cm	40	...	0.06869

Installation Method



Disclaimer

Subject to change without notice. Errors and omission excepted. Always make sure to use the most recent release.